

## Oven S4001

Ovens and Coordinated Products

Code: 7136 021



### COOKING PROGRAMS

#### Ventilated cooking

The combination of ventilation and circular heating elements allows for cooking different types of foodstuffs together, without mixing aromas and flavours.

---

#### Ventilated grill

The combined action of the fan and grill produces rapid and thorough cooking of thick foodstuffs.

---

#### Grill

To quickly gratin the surface of the food.

---

#### Thawing by Weight

Allows you to defrost by setting the type of food and weight.

---

#### Thawing by Time

Allows defrosting by setting the duration of the process.

---

#### Microwave cooking

Ideal for cooking or rapidly heating vegetables, rice, fish, meat and liquids. different power levels are available.

---

#### Microwave + grill

A combined cooking method that is ideal for lasagne, potatoes, roasts and pies.

---

#### Ventilated cooking + microwave

The movement of air generated by the fan ensures better homogeneity of micro cooking.

---

## DETAILS

Material Stainless steel + glass

---

Texture Satin Finish ANTI-TOUCH

---

Supply 220-240 V 50/60 Hz

---

Dimensions 60x46 cm

---

Standard fittings 1 Integrated rotating plate Ø 32 cm - 1 stainless steel round grid - 1 2/3 Gastronorm tray, h20 - 1 stainless steel grid

---

Cooking chamber finish Easy Clean enamel

---

Lighting Independent oven's light

---

Number of door glasses 2 glasses

---

Power absorbed by the microwave 1000 W (6 livelli potenza) + Grill 1000 W

---

Programming Electronic self-cooking programming

---

Type of cooling Tangential ventilation

---

Oven type Combi-microwave oven

---

Type of commands Touch Control

---

Volume

34Lt

---

## FEATURES

Self cooking

An intuitive and advanced programming system that allows to recall a wide set of preset recipes and to memorize exclusive ones.

---

Stop-sol glass finish

The special screening and mirroring treatment of external glass gives the oven an elegant and modern aesthetic. The oven remains dark when not in use, once the illumination is switched on the inside is perfectly visible.

---

Automatic thawing

It is possible to defrost not only setting the time but also alternatively the type and weight of the food.

---

Tangential fan

A special ventilation creates a flow of air between the cooking chamber and framework, thereby reducing the temperature of the external surfaces. As consequence, the oven does not expose furniture to temperature shock.

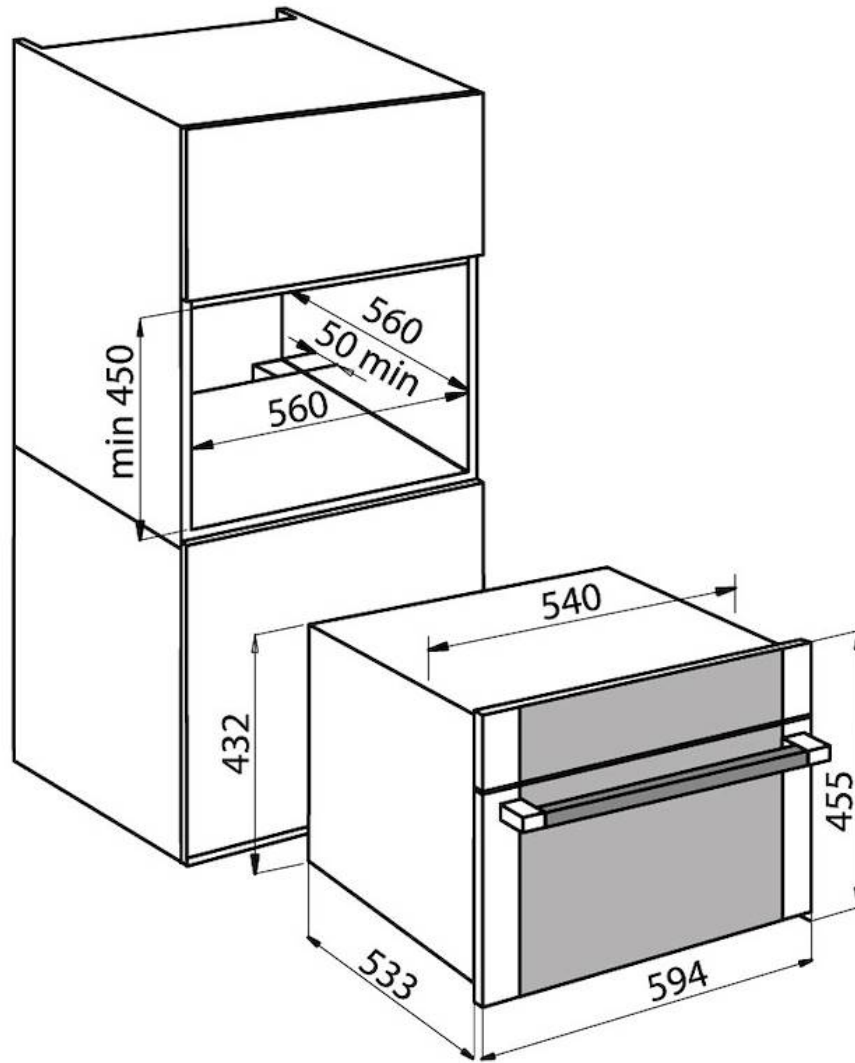
---

Anti-touch finish

The steel parts of the door, thanks to the special protection, are perfectly smooth and protected from fingerprints, while maintaining the elegance of the satin finish.

---

## TECHNICAL DATA



## GALLERY

